

# LIGHT-CONTROL 512

# LIGHT-CONTROL EXTENSION

## Quick Start Guide

### SAFETY INSTRUCTIONS

Before using these devices, please read carefully all the warnings and instructions contained in the user manual. The complete **USER MANUAL** for LIGHT-CONTROL 512 and LIGHT-CONTROL EXTENSION is included in the USB memory key supplied with the LIGHT-CONTROL 512 controller.

### WHAT'S IN THE BOX

#### If Purchased LIGHT-CONTROL 512

- N. 1 LIGHT-CONTROL 512
- N. 1 Mains Adapter 12V - 2A
- N. 1 USB Lamp
- N. 1 USB memory key with the following files: user manual, fixture editor program for Windows PC, fixture files

#### If Purchased LIGHT-CONTROL EXTENSION – Sold separately

- N. 1 LIGHT-CONTROL EXTENSION
- N. 1 CAT5 UTP cable (1mtr)
- N. 1 LIGHT-CONTROL 512-LIGHT-CONTROL EXTENSION link plate
- N. 4 MA 3x 12mm screws

### POWERING UP

The LIGHT-CONTROL 512 controller should only be connected to power source type specified on the AC/DC adapter. If the supplied AC power plug is different from the wall socket, please contact an electrician to change the AC power socket or contact **LIGHT INC** to change the AC/DC adapter. The adapters that can be supplied by **LIGHT INC** are the following:

- VDE PLUG for all UE countries except UK
- BS PLUG for UK country
- UL PLUG for US country

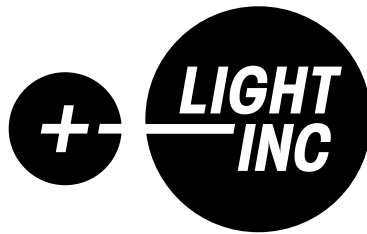
If the devices are not used for a long period of time, please unplug the power adapter from AC power outlet.

### OPERATING INSTRUCTIONS

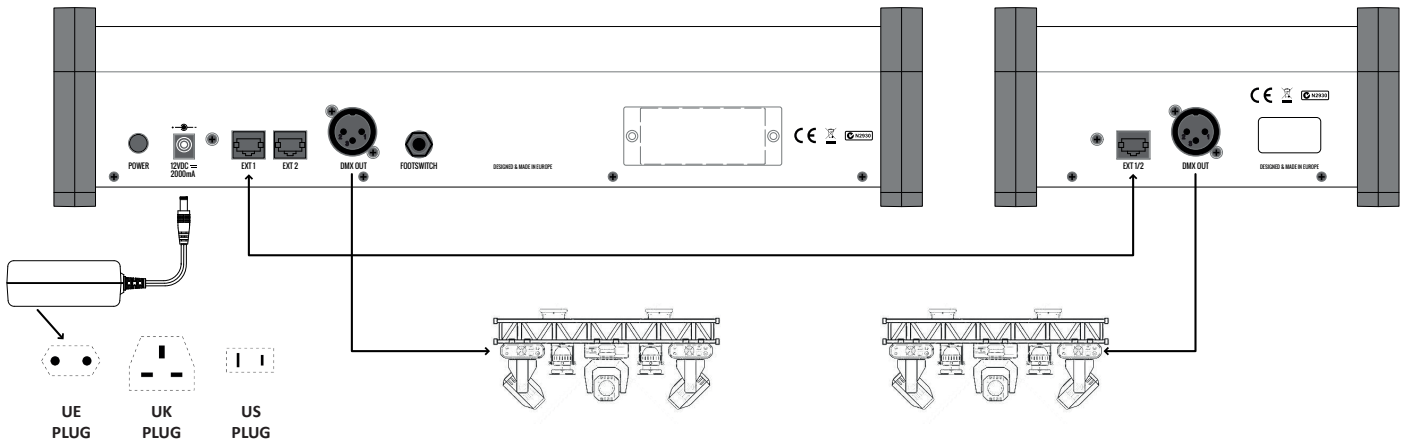
For a quick setup see the pictures in the next page.

For detailed instruction see the **USER MANUAL**: LIGHT-CONTROL 512 is a powerful and easy to use DMX controller, but to get the best results it's essential to read thoroughly the manual.

The User Manual contained in the memory key is in PDF file format, so to read it and print it you must download the ACROBAT READER software freely available from the web site [www.adobe.com](http://www.adobe.com).

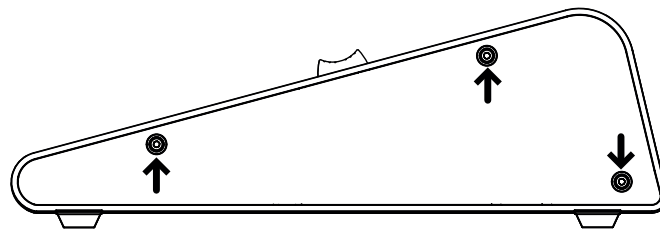


## QUICK CONNECTIONS



## LIGHT-CONTROL 512 & LIGHT-CONTROL EXTENSION FIXING

With a phillips screwdriver remove the 3 screws and the right plastic side of LIGHT-CONTROL EXTENSION.



Fix the LIGHT-CONTROL EXTENSION to the LIGHT-CONTROL 512 left side using the supplied plate and four screws.

