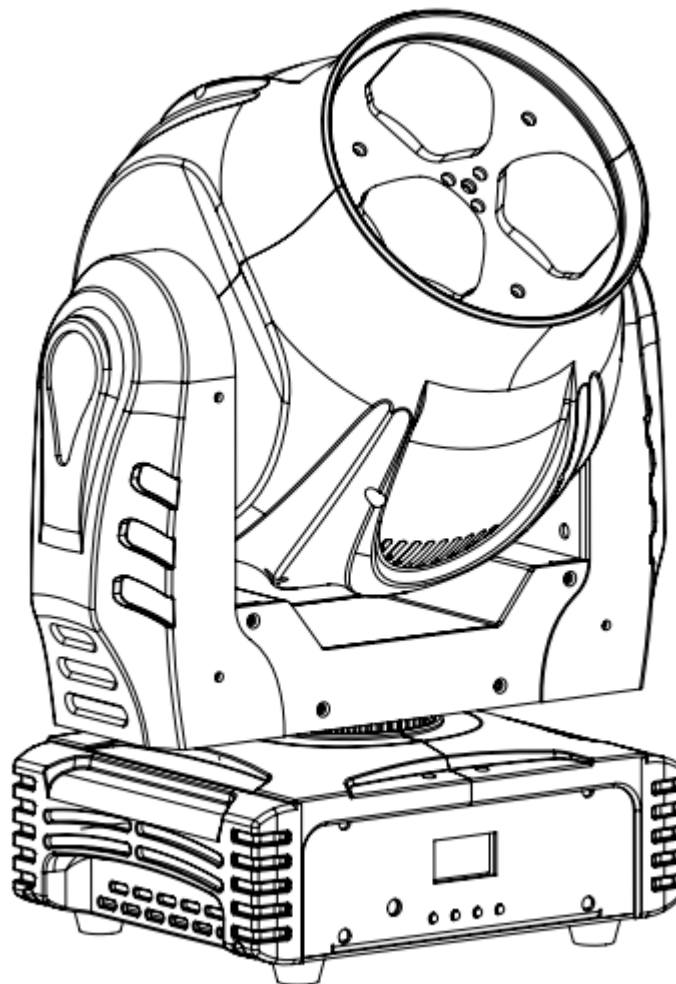


LIGHT-INC MH-120 LED WASH



User Manual

Version:1.0



Operational Manual

Thank you for purchasing this product. To take full advantage of all possibilities and for your own safety, please read this operating instructions very carefully before you start using this unit.

BEFORE USE

- Before you start using this unit, please check if there is no transportation damage. Should there be any, do not use the device and consult your dealer first.
- This device has left our factory in absolutely perfect condition and well packed. In order to maintain this condition and to ensure a safe operation, it is absolutely necessary for the user to follow the safety instructions and warning notes written in this manual.
- The manufacturer will not accept liability for any resulting damages caused by the non-observance of this manual or any unauthorized modification to the device.
- Please consider that damages caused by manual modifications to the device are not subject to warranty.

SAFETY INSTRUCTIONS

DANGEROUS VOLTAGE CONSTITUTING A RISK OF ELECTRIC SHOCK IS PRESENT WITHIN THIS UNIT!

Caution: To reduce the risk of electric shock, do not remove the top cover. No user-serviceable parts inside. Refer servicing to qualified service personnel only.



Risk of electric shot!



Keep this device away from rain and moisture!



Read the manual



Unplug the mains power before remove the housing



Indoor use ONLY

Caution: Do not stare at operating lamp. May be harmful to the eye.

- To protect the environment, please try to recycle the packing material as much as possible.
- To prevent fire or shock hazard, do not expose this appliance to rain or moisture.
- This unit is for indoor use only.
- Don't place metal objects or spill liquid inside the unit. Electric shot or malfunction may result. If a foreign object enters the unit, immediately disconnect the mains power.
- Locate the fixture in a well ventilated spot, away from any flammable materials and/or liquids. The fixture must be fixed at least 50cm from surrounding walls.
- Don't cover any ventilation openings as this may result in overheating.
- Prevent use in dusty environments and clean the unit regularly.
- Keep the unit away from children.
- Inexperienced persons should not operate this device.
- Maximum safe ambient temperature is 40°C. Don't use this unit at higher ambient temperatures.
- Make sure the area below the installation place is free from unwanted persons during rigging, de-rigging and servicing.
- Allow the device about 10 minutes to cool down before servicing.
- The electrical installation should be carried out by qualified person only, according to the regulations for electric and mechanical safety in your country.
- Check that the available voltage is not higher than the one stated in the unit.
- The power cord should always be in perfect condition. Switch the unit immediately off when the power cord is squashed or damaged. It must be replaced by the manufacturer, its service agent or similarly qualified persons in order to avoid a hazard.
- Never let the power-cord come into contact with other cables!
- Don't connect the unit to any dimer pack.
- In order to prevent electric shot, do not open the cover. There are no user serviceable parts inside.
- The housing and lenses must be replaced if they are invisibly damaged.
- Never repair a fuse or bypass the fuse holder. Always replace a damaged fuse with

a fuse of the same type and electrical specifications!

- Due to safety reasons, it is prohibited to make unauthorized modifications to the unit.

Important: Never look directly into the light source! Don't use the effect in the presence of persons suffering from epilepsy.

Mounting and Installation

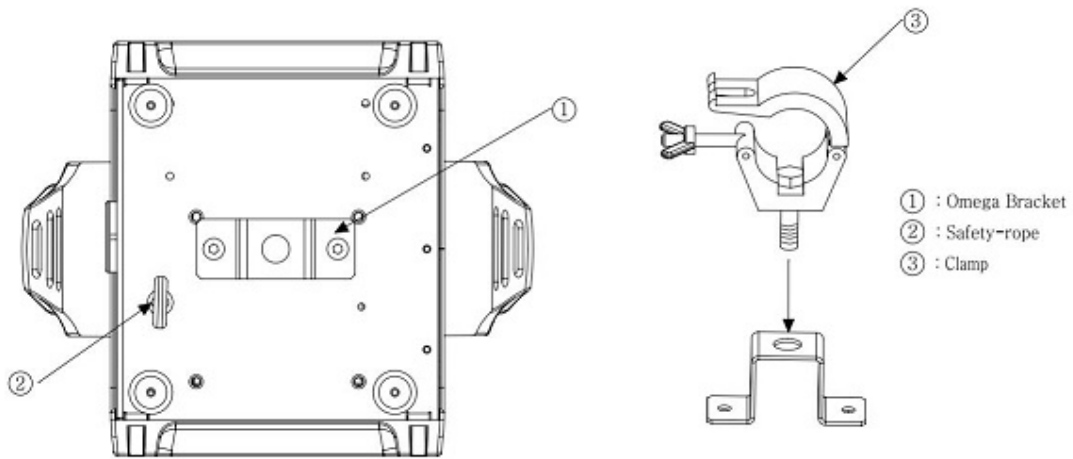
Important: Fixtures must be installed by a Qualified electrician in accordance with all national and local electrical and construction codes and regulations.

Overhead Rigging

- For overhead installation, the fixture must be always secured with a safety wire that can bear at least 10 times the weight of the fixture.
- Make sure the area below the installation is free from unwanted persons during rigging, de-rigging and servicing.
- Locate the fixture in a well ventilated spot, far away from any flammable materials and/or liquids. The fixture must be fixed at least 50cm from surrounding walls.
- The device must be installed out of reach of people where persons may walk by or be seated.
- Fixture installation must always be secured with a secondary safety attachment, such as an appropriate safety cable.
- Always use and install the supplied safety cable as a safe cable as safety measure to prevent accidental damage and /or injury in the event the clamp fails.
- The fixture should be well fixed, a free-swinging mounting is dangerous and may not be considered!

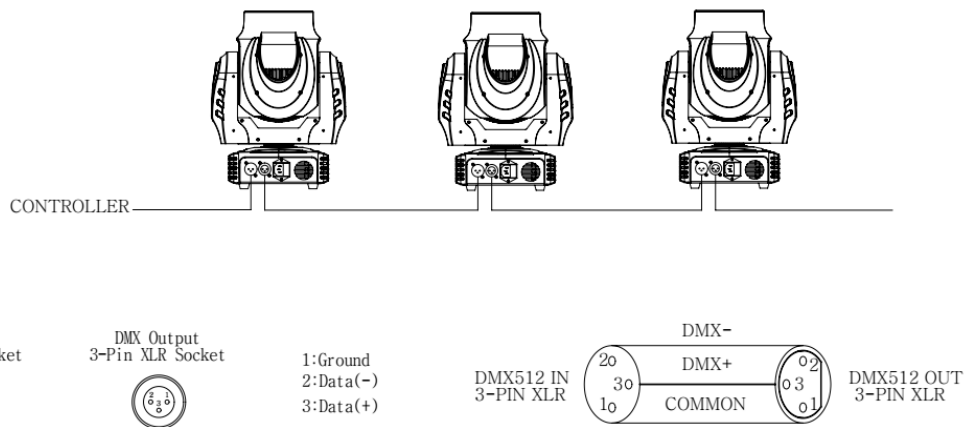
Clamp Mounting:

The LED moving head provides a unique mounting bracket assembly that integrates the bottom of the base, the included 'omega bracket' (see the following pic) and the safety cable rigging point in one unit. When mounting this fixture to truss be sure to secure an appropriately rated clamp to the included omega bracket using a M10 screw fitted through the center hole of the 'omega bracket'. As an added safety measure be sure to attached at least one properly rated safety cable to the fixture using one of the safety cable rigging point integrated in the base assembly.



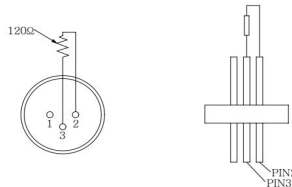
DMX-512 Control Connection

Connect the provided XLR cable to the female 3-pin XLR output of your controller and the other side to the male 3-pin XLR input of the moving head. You can chain multiple Moving head together through serial linking. The cable needed should be two core, screened cable with XLR input and output connectors. Please refer to the diagram below.



DMX-512 Connection with DMX Terminator

For installations where the DMX cable has to run a long distance or is in an electrically noisy environment, such as in a discotheque, it is recommended to use a DMX terminator. This helps in preventing corruption of the digital control signal by electrical noise. The DMX terminator is simply an XLR plug with a 120 resistor connected between pins 2 and 3, which is then plugged into the output XLR socket of the last fixture in the chain. Please see illustrations below.



How to Set up this Unit

1. **[MIC]:** microphone for sound mode
2. **[MENU]:** press this button to go back to the main menu or to leave submenus
3. **[▼]:** press this button to go down in the menu
4. **[▲]:** press this button to go up in the menu
5. **[Enter]:** press this button to confirm the selected function in the menu
6. **[Display]:** shows the information on the different modes and functions
7. **[SOUND SENSITIVITY CONTROL]:** To adjust the sensitivity of the sound mode
8. **[NETWORK INTERFACE]:** DMX512 network interface(Optional)
9. **[DMX IN]:** 3p XLR Male connector to receive DMX data from a console or use in Master/slave modes
10. **[DMX OUT]:** 3 pin XLR Female connector to connect other projectors or use in Master/slave modes
11. **[USB WIRELESS TRANSCEIVER SOCKET]:** USB wireless transceiver, with 5v power supply (Optional)
12. **[POWER IN]:** with IEC socket and integrated fuse holder, connect the supplied mains cable here
13. **[FUSE]:** Protecting the safety operation of circuit
14. **[FAN]:** for cooling the electronic components in the base of the machine

Technical Specifications

Input power: AC100-240V 50/60 Hz

Power consumption: 95 watt(max)

Power connection: IEC-10A

Connection: 3pin-XLR male/female

Extremely Long Life: 50,000 Hr and low power consumption

LED: 3 PCS 40W high power RGBW LED

DMX channel: 10/17 channels

Movement: Pan/Tilt: X axis 540° , Y axis 190°

High speed of pan/tilt movement, speed of pan/tilt movement is adjustable

Control mode: DMX512/Master-Slave/Auto run/sound

Display: OLED display

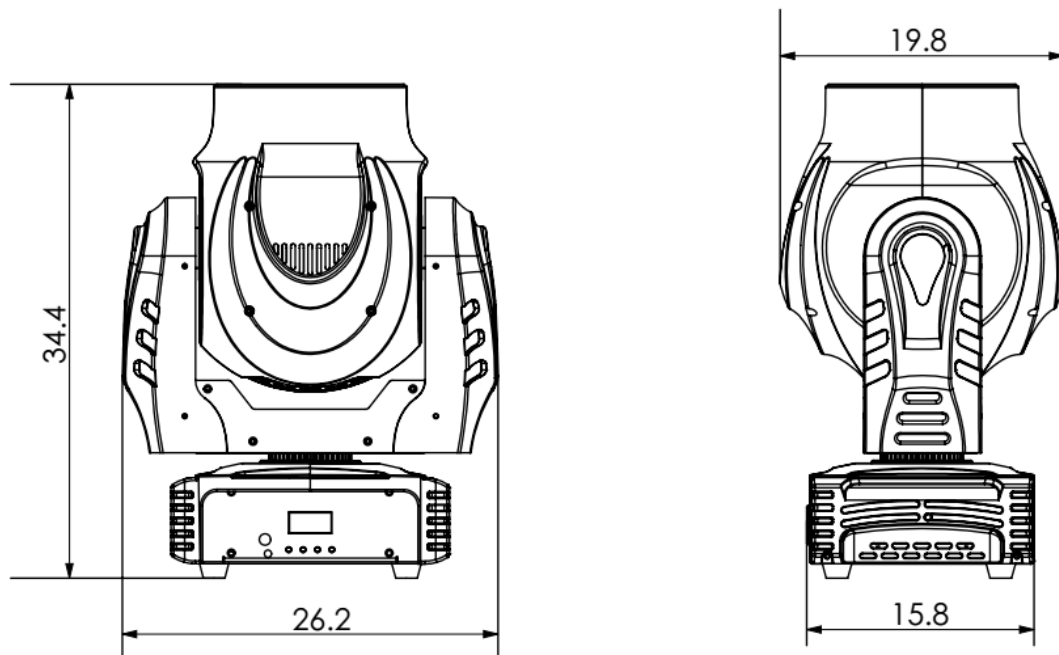
8 internal program, sound mode can control by DMX 512

IP-Rating: IP20

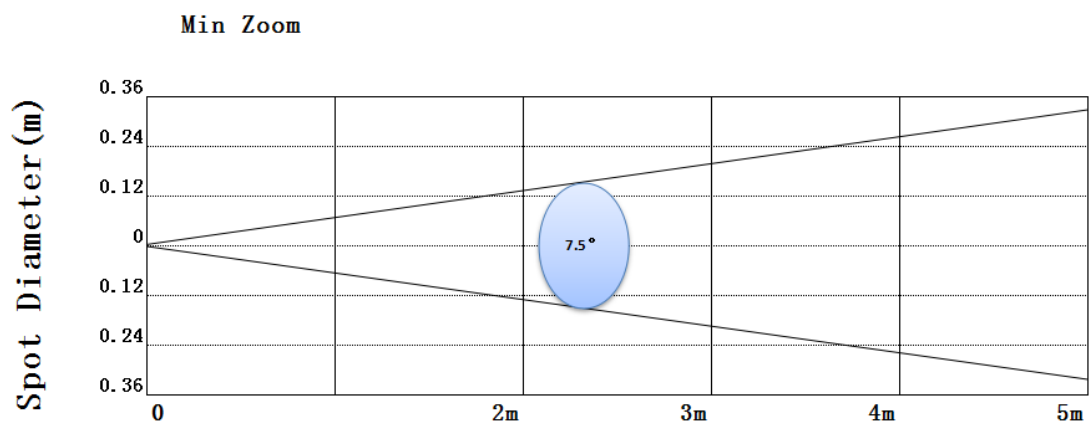
N.W: 4.5KG, G.W: 5.75KG

Packing size: 40*31*33cm (1pcs)

Dimensions



Lumen Chart



Distance (m)	2m	3m	5m
Red (Lux)	7450	2700	1040
Green (Lux)	11900	4550	1500
Blue (Lux)	27000	10700	3700
Whiter (Lux)	21400	8500	3000
RGBW (Lux)	64300	26900	8850

Menu Function

1.DMX Address	001-512		
2.Running MODE	DMX 17 Ch		
	DMX 10 Ch		
	Auto		
	Sound		
	Slave		
3.Auto Prog	Prog1		
	Prog2		
	Prog3		
	Prog4		
	Prog5		
	Prog6		
	Prog7		
	Prog8		
4.Settings	Pan Rev	OFF	
		ON	
	Tilt Rev	OFF	
		ON	
	Display Rev	OFF	
		ON	
	Sensitivity	0-100	
	Speed Mode	Fade Speed	
		FAST Speed	
	Calibration	Password	
		All To Origin	Clear ALL(3s)
		Adjust Pan	.=0-120
		Adjust Tilt	.=0-120
		Adjust Focus	.=0-120
		Adjust Rot	.=0-120
		Adjust Red	.=0-255
		Adjust Green	.=0-255
		Adjust Blue	.=0-255
	Adjust White	.=0-255	
	Factory Set	ON	
OFF			

	Reset Motor	(Reset all Motor)	
5.System Info	Software	V1.12	
	Mode	DMX	
	Address	001	

DMX-Configuration

10 Channel Mode:

10CH	DMX Value	Function
1	000 - 255	X
	000-255	X-Fine
2	000 - 255	Y
	000-255	Y-Fine
3	000 - 255	XY SPEED
	000-255	Dimmer(0-100%)
	000-004	Shutter closed
4	005-250	Strobe effect slow to fast
	251-255	Shutter open
5	000-255	Red Dimmer(0-100%)
6	000-255	Green Dimmer(0-100%)
7	000-255	Blue Dimmer(0-100%)
8	000-255	White Dimmer(0-100%)
9	000-255	Focus(0-100%)
10	000-100	Effect Lens linear(0~90°)
	101-133	Effect Lens Shake from small to big
	134-194	Backward rotation from fast to slow
	195-255	Forward rotation from slow to fast

17 Channel Mode:

17CH	DMX Value	Function
1	000 - 255	X
2	000-255	X-Fine
3	000 - 255	Y
4	000-255	Y-Fine
5	000 - 255	XY SPEED
6	000-255	Dimmer(0-100%)
7	000-004	Shutter closed

	005-250	Strobe effect slow to fast
	251-255	Shutter open
8	000-255	Red Dimmer(0-100%)
9	000-255	Green Dimmer(0-100%)
10	000-255	Blue Dimmer(0-100%)
11	000-255	White Dimmer(0-100%)
12	000-255	Focus(0-100%)
13	000-100	Effect Lens linear(0~90°)
	101-133	Effect Lens Shake from small to big
	134-194	Backward rotation from fast to slow
	195-255	Forward rotation from slow to fast
14	000-010	No function(close)
	011-020	R
	021-030	G
	031-040	B
	041-050	W
	051-060	R+W
	061-070	G+W
	071-080	B+W
	081-090	R+G
	091-100	G+B
	101-110	R+B
	111-120	R+G+W
	121-130	G+B+W
	131-140	R+B+W
	141-150	R+G+B+W
	151-200	Color step program increasing from slow to fast
	201-247	Color fade program increasing from slow to fast
248-255	Color Gobo Sound Control	
15	000-009	Empty
	010-039	Focus auto run 1
	040-069	Focus auto run 2
	070-099	Focus auto run 3
	100-129	Focus auto run 4
	130-159	Focus auto run 5
	160-189	Focus auto run 6
	190-219	Focus auto run 7
	220-255	Focus auto run 8
16	000-007	Empty

	008-032	X/Y auto run 1
	033-058	X/Y auto run 2
	059-084	X/Y auto run 3
	085-110	X/Y auto run 4
	111-136	X/Y auto run 5
	137-162	X/Y auto run 6
	163-188	X/Y auto run 7
	189-214	X/Y auto run 8
	215-240	X/Y auto run 9
	241-255	X/Y Sound Control
17	51-100	Fast Speed(10S)
	151-200	Fade Speed(10S)
	251-255	RESET(10S)