

USER MANUAL

FLAT-PAR 3 HEXA

Please read carefully before use.



- + RED-GREEN-BLUE
- + WHITE-AMBER
- + ULTRAVIOLET



WWW.LIGHT-INC.NL

Unpacking: Thank you for purchasing the FLAT-PAR 3 HEXA. Every FLAT-PAR 3 HEXA has been tested and shipped in perfect operating condition. Carefully check the shipping carton for damage that may have occurred during shipping. If the carton appears to be damaged, carefully inspect your fixture for any damage and be sure all equipment necessary to operate the unit has arrived intact. In the event damage has been found or parts are missing, please contact our toll free customer support number for further instructions. Please do not return this unit to your dealer without contacting customer support first.

Introduction: The FLAT-PAR 3 HEXA has nine DMX mode. The fixture can operate in three different operating modes; DMX control, sound-active, or in a Master/Slave configuration. The FLAT-PAR 3 HEXA comes with several built in programs that can be used, while operating as a dimmer unit or when used in multiples linked in a master/slave configuration. For best results use fog or special effects smoke to enhance the beams projections.

Warning! To prevent or reduce the risk of electrical shock or fire, do not expose this unit to rain or moisture.

Warning! This may cause severe eye damage. Avoid looking directly into the light source at all times!

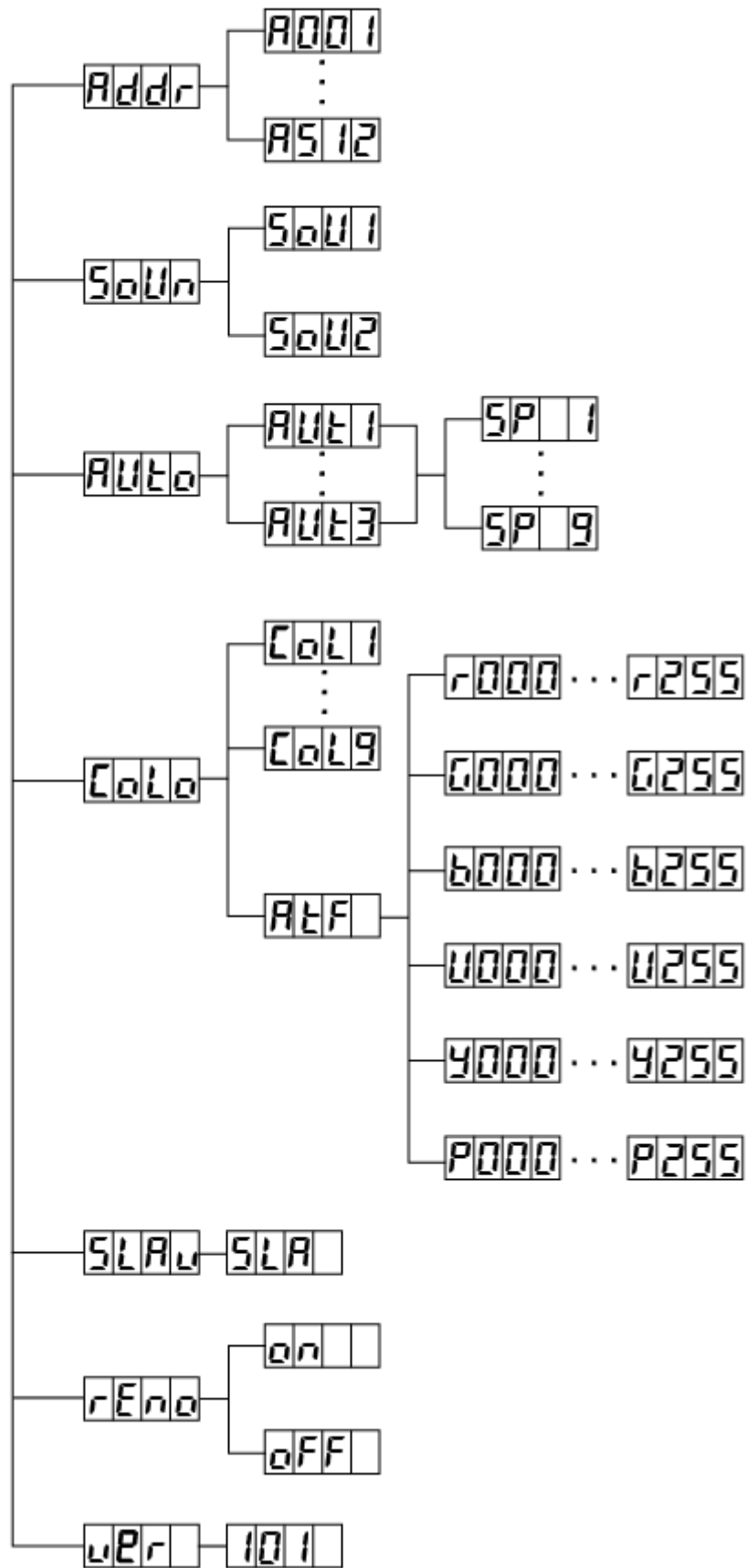
Features of FLAT-PAR 3 HEXA

- Color Strobe Effect
- Color Mix Effect
- LED Chases (Adjustable Speeds)
- Electronic Dimming 0-100%
- Built in Microphone
- DMX-512 protocol
- Seven DMX Modes
- 3 Operating Modes - Sound Active, Master/Slave Mode, and DMX Control
- DMX-512 Protocol Compatible
- Digital Display for Address and Function Setting

Model: FLAT-PAR 3 HEXA

- Light Source: 3pcs , 12W 6 in 1 LED , RGBWAUV
- Beam Angle:20°
- Life Time : 80000-100,000 hours
- Dimming 0-100%with regulated constant color control
- Strobe: 10 Flashed per second (any color)
- Operation Mode : DMX 512,Manual.sound.internal program
- DMX control: 9 DMX mode
- Control panel: Digital 4 characters alphanumeric
- Input voltage: AC100-240V, 50-60HZ (Power supply switch)
- Max Power:40W
- Maximum Ambient Temperature : 40°C
- G.W:1.1kg

On Board System



Addr - DMX Address Setting via control board

1. Tap the MENU button and UP button or DOWN button until "Addr" is displayed, press ENTER.
2. "Axxx" will now be displayed, "x" represents the displayed address. Press the UP or DOWN buttons to find your desired address.

Soun - This menu will let you select your desired sound mode

1. Tap the MENU button until "Soun" is displayed, press ENTER.
2. "Soux" will now be displayed, you can confirm two modes by UP or DOWN for sound mode.

Auto -This menu will let you select your desired auto mode

1. Tap the MENU button and UP button or DOWN button until "Auto" is displayed, press ENTER.
2. "Autx" will now be displayed, You can confirm three modes by UP or DOWN for auto mode.

Colo - This menu will let you select your desired colour mode

1. Press the MENU button and UP button or DOWN button until "CoLo" is displayed, press ENTER.
2. Either "CoL X", "X" representing a number between 1-9 or "AtF" will be displayed. Press the UP or DOWN buttons to select either a static color or "AtF" mode. If you select "AtF", and press ENTER and it will be set the Red brightness, the green brightness, blue brightness, Amber brightness and Purple brightness.

SLav- This menu will let you select your desired Master/slave mode

1. Tap the MENU button until "SLav" is displayed, press ENTER.
2. "Sla " will now be displayed, Slave mode is confirmed. It will be slaved by auto mode sound mode and chase mode

reno - This menu will let you select your desired sound mode

1. Tap the MENU button until "reno" is displayed, press ENTER.
2. "on" or "off" will now be displayed, you can select to close or open the infrared.

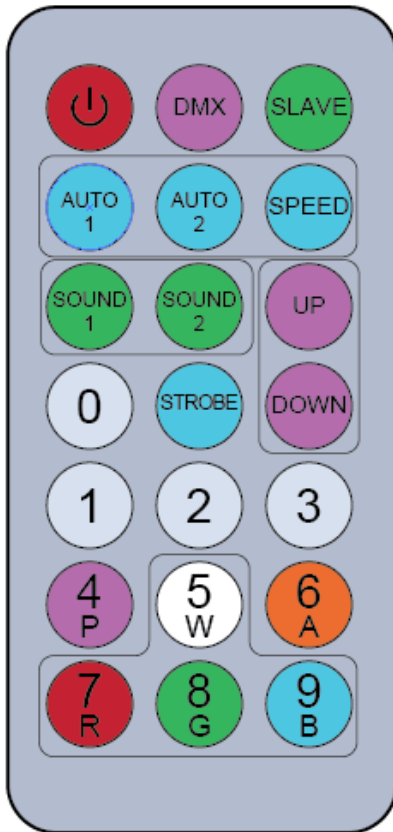
uer-This will display the software version

1. Press the UP or DOWN button until "uer" is dispalyed, press ENTER.
2. The software version will be displayed.

DMX control mode

Channel	Value	Functon
CH 1	0-255	Master dimmer (0%--100%)
CH 2	0-255	Red (0%--100%)
CH 3	0-255	Green (0%--100%)
CH 4	0-255	Blue (0%--100%)
CH 5	0-255	White (0%--100%);
CH 6	0-255	Amber (0%--100%)
CH 7	0-255	Purple (0%--100%)
CH 8	0-255	strobing (slow → fast)
CH 9	0-15	Dimmer
	16-31	Color mixing plus change 1
	32-47	Color mixing plus change 2
	48-63	Color mixing plus change 3
	64-79	Color mixing plus change 4
	80-95	Color mixing plus change 5
	96-111	Color sync strobe
	112-127	Color fade
	128-143	Color sync
	144-159	Colors mixing & change then Shuter closing
	160-175	down-dimming plus color change
	176-191	Up-dimming plus color change
	192-207	Color Up-dimming then down-dimming
	208-223	Color mix change
224-239	Run sound mode 1	
240-255	Run sound mode 2	

IR Controller



Power on/off button



DMX button, to control DMX address when press this button. It is channel mode when double click.



Master-slave mode button.



Automatic mode button



Speed adjustable button



Sound mode button



Up and down button, you can choose the program that you need or numerical.



Strobe button



You can use these number button to adjust numerical in any program mode.



Color choosing button.

Product Overview

